



RS-50 Skid Steer Loader



RS-50 Brief Specifications

| | |
|---------------------|---------------------|
| Operating weight: | 6,065 lbs 2751 kg |
| Tipping load: | 3,300 lbs 1497 kg |
| Breakout force: | 4,750 lbs 2154 kg |
| Gross engine power: | 50 hp 37.3 kW |

OPERATING SPECIFICATIONS

| | |
|--|---------------------|
| Loader arms | Radial |
| Operating weight | 6,065 lbs 2751 kg |
| Shipping weight | 5,331 lbs 2418 kg |
| Operating capacity, 50% of tipping load | 1,650 lbs 748 kg |
| Tipping load | 3,300 lbs 1497 kg |
| Travel speed, maximum - 1 st speed | 7.4 mph 11.9 kph |
| Travel speed, maximum - 2 nd Speed (optional) | 12 mph 19.3 kph |
| Breakout force at bucket edge | 4,750 lbs 2154 kg |
| Arm lifting force | 4,750 lbs 2154 kg |
| Ground clearance, unloaded | 10.5 in. 267 mm |
| Ground clearance, loaded | 10 in. 254 mm |
| Width over tires | 66 in. 1676 mm |
| Width over tires with rims reversed | 60 in. 1524 mm |

ENGINE

| | |
|-------------------------------|--|
| Type | Diesel, 4-cylinder, naturally-aspirated |
| Model | Perkins 404D-22 |
| Displacement | 135 in ³ 2.2 L |
| Gross power rating @ 2800 rpm | 50 hp 37.3 kW |
| Torque, peak | 105 ft-lb 143 Nm |
| Cooling system | Engine-driven fan and coolant/ anti-freeze-filled radiator |
| Intake air cleaner | Dual stage |
| Emission controls | Meets all U.S. EPA Tier 4 final standards |

DRIVE TRAIN

| | |
|-----------------|----------------------|
| Drive system | Hydrostatic |
| Chain case | Bow tie drive system |
| Chain size | 80 ANSI chain |
| Wheel size | 10x16.5 |
| Tractive effort | 8,453 lbs 3826 kg |

* Machine tested with foundry bucket

AUX. HYDRAULIC SYSTEM

| | |
|-----------------------|--|
| Pump capacity | 17.1 gpm 65 lpm |
| System pressure, max. | 3,335 psi 230 bar |
| Controls | Intermittent via joystick button or continuous via console switch, mode selectable via dash-mounted switch |
| Couplers | Push-to-connect quick couplers mounted on loader arms Pressure relief valve mounted to coupler block |
| Cooling system | High efficiency side-by-side radiator and oil cooler |

ELECTRICAL SYSTEM

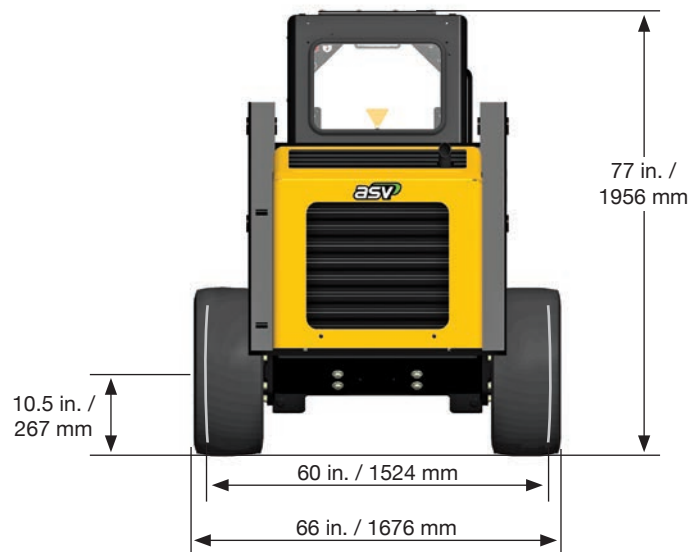
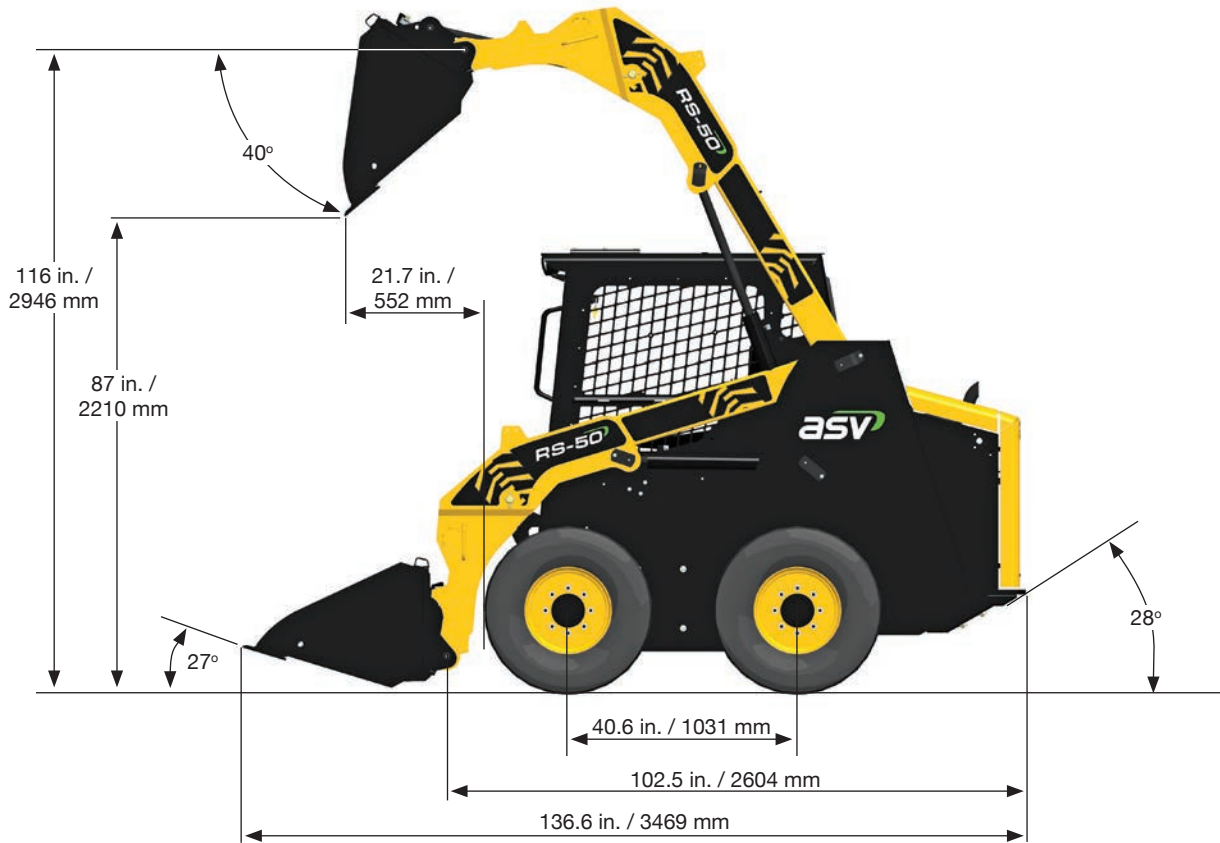
| | |
|---------------------|---|
| Nominal charge | 12 V |
| Battery | 770 CCA |
| Charging system | 65 amp alternator |
| Outlets | 1-12 V port inside operator station |
| Engine Block Heater | Standard |
| Wiring | Pre-wired for all factory-available accessories |

OPERATOR STATION

| | |
|---------------------|--|
| Seat: | Adjustable contour vinyl with built-in operator presence switch, lap bar and 2 in 51 mm wide seat belt |
| Loader control: | Right-hand pilot hydraulic joystick controls loader lift, lower and tilt, plus intermittent control of auxiliary hydraulic |
| Drive control: | Left-hand pilot hydraulic joystick controls machine speed and direction |
| Engine speed | Foot throttle |
| Indicators & gauges | Engine oil low-pressure light Hydraulic oil high-temperature light Engine high-temperature light Low battery voltage light Tachometer, hour meter, fuel gauge Two speed |
| ROPS / FOPS | Meets ISO 3471, ISO 6683, ISO 3449:2005 Level 1 |
| Illumination | 2 - Fixed forward-facing halogen lights 2 - Adjustable rear-facing halogen light 1 - Interior light |
| Convenience | 12 V power port |
| Horn | |
| Backup alarm | |
| Sound insulation | |
| Rear window | |

DIMENSIONS

RS-50



SERVICE REFILL CAPACITIES

| | |
|------------------------------|----------------------|
| Fuel tank | 25 gal 95 L |
| Hydraulic tank | 8 gal 30 L |
| Engine coolant/antifreeze | 3.5 gal 13 L |
| Engine oil, including filter | 11.2 quarts 10.6 L |

OPTIONAL ATTACHMENTS

| | |
|-------------------------|------------------|
| Auger drive and bits | Grapple bucket |
| Backhoe | Pallet forks |
| Broom, rotary | Power box rake |
| Bucket, general purpose | Snow blade |
| Bucket, light material | Snow blower |
| Bucket, multi-purpose | Stump grinder |
| Brush cutter, rotary | Trencher |
| Dozer blade | Vibratory roller |
| Eliminator rake | |

Effective Date: September, 2016

Product specifications and prices are subject to change without notice or obligation. The photographs and/or drawings in this document are for illustrative purposes only. Refer to the appropriate Operator's Manual for instructions on the proper use of this equipment. Failure to follow the appropriate Operator's Manual when using our equipment or to otherwise act irresponsibly may result in serious injury or death. The only warranty applicable to our equipment is the standard written warranty applicable to the particular product and sale and ASV makes no other warranty, express or implied. © 2017 ASV Holdings, Inc. ASV, the ASV logo design and Positrack are trademarks of ASV Holdings, Inc..

ASV Holdings, Inc.

840 Lily Lane
Grand Rapids, MN
55744-4089

Toll-free: (800) 205-9913
Fax: (218) 327-2297
www.asvli.com

